

2

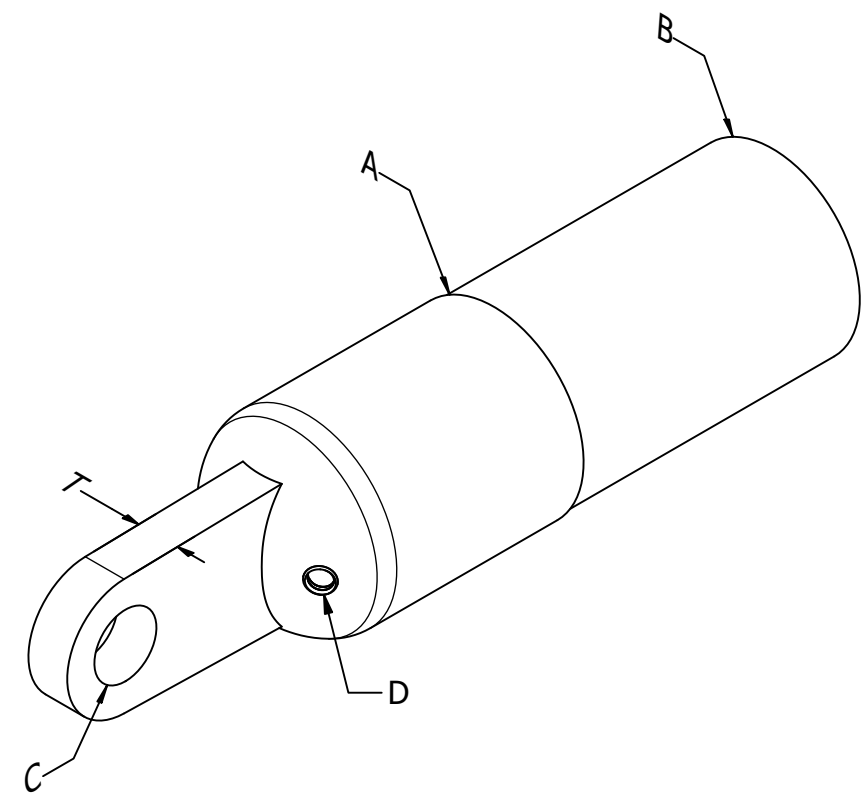
1

IPS

NOMINAL SIZE	A	B	C	D	T
3/4"	1.24	1.05	0.44		0.42
1"	1.50	1.315	0.45		0.50
1-1/4"	1.75	1.66	0.51		0.45
1-1/2"	2.00	1.90	0.50		0.47
2"	2.49	2.375	0.81	0.125	0.80
3"	3.50	3.50	1.25	0.50	0.75
4"	4.50	4.50	1.50	0.75	1.05
5"	5.563	5.563	1.50	0.75	1.00
6"	6.625	6.625	2.00	0.75	1.25
8"	8.66	8.625	2.00	1.00	1.50
10"	10.75	10.75	2.00	1.50	1.50
12"	12.75	12.75	2.00	1.50	1.50
14"	14.00	14.00	2.00	2.00	1.50
16"	16.00	16.00	2.00	2.00	1.50
18"	18.00	18.00	3.00	2.00	1.50
20"	20.00	20.00	3.00	2.00	2.00
22"	22.00	22.00	3.25	2.00	2.00
24"	24.00	24.00	3.25	2.00	2.00


B

A



**DISCLAIMER:**

- 1) All dimensions approximate and drawing is used as a basis only.
- 2) Subject to change without notice due to supply from manufacturers.
- 3) Subject to ICONIX Waterworks Standard Terms and Conditions

DATE: 04/29/2021	
Abbotsford, B.C. (604) 850-0441	
Hornby, ON (905) 693-0008	TITLE: HDPE PULL HEAD
ALL DIMENSION IN INCHES UNLESS OTHERWISE SPECIFIED	

2

1